



Datenblatt - Fiche technique - Data sheet

11.09.4353

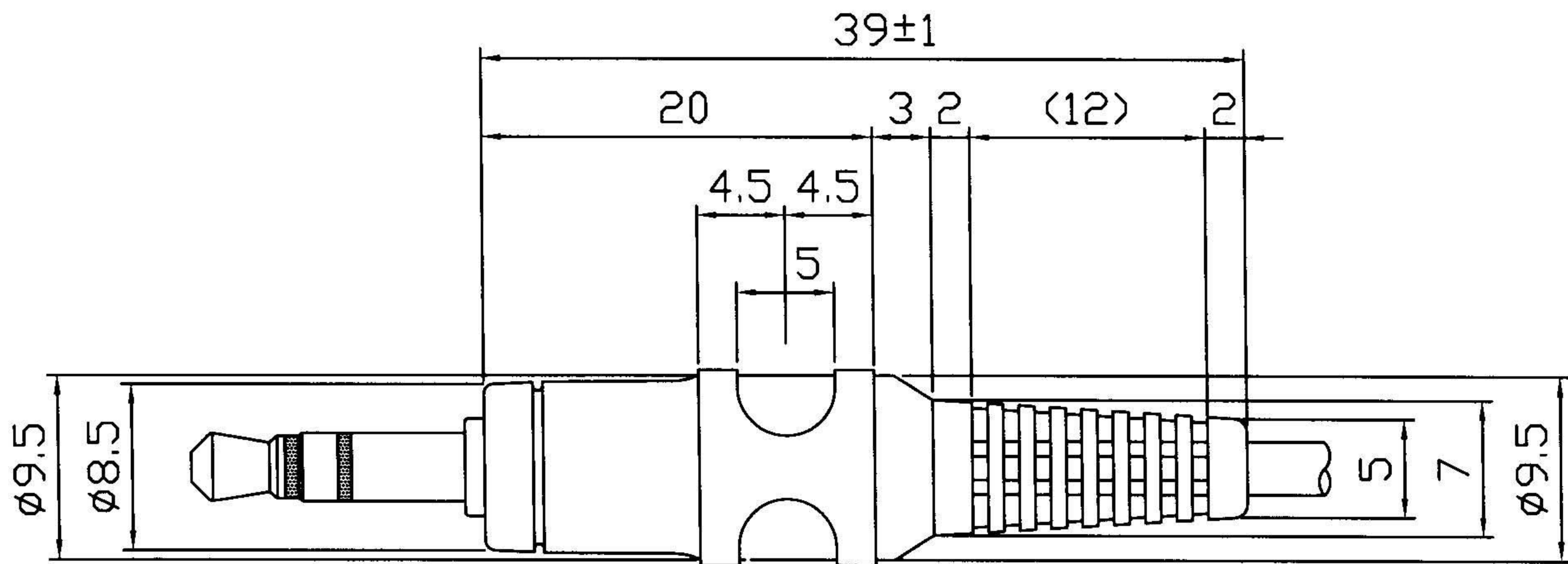
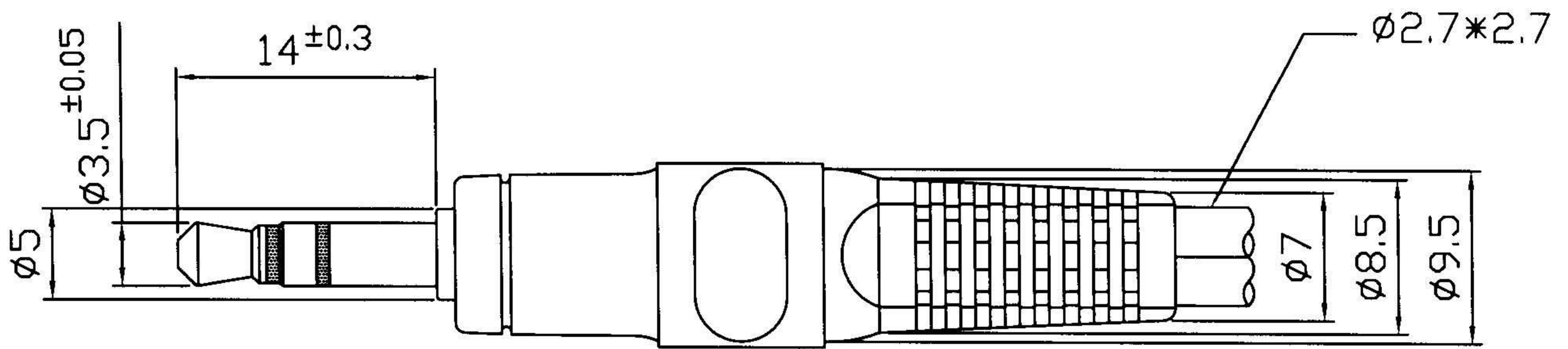


ROLINE 3,5mm Verlängerungskabel ST / BU, 3m

ROLINE Rallonge 3,5mm, 3m

ROLINE 3.5mm Extension Cable, M/F, 3 m

3. 3.5 STEREO PLUG DIMENSION

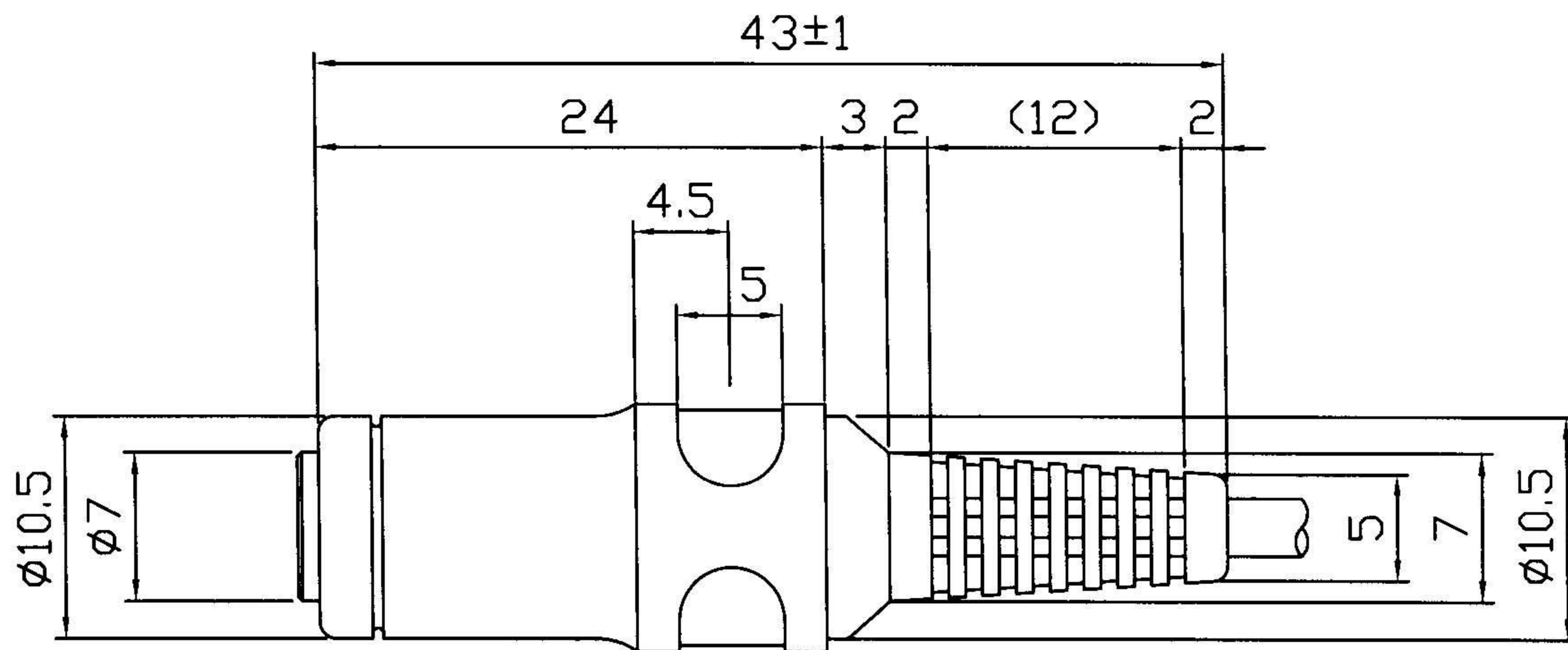
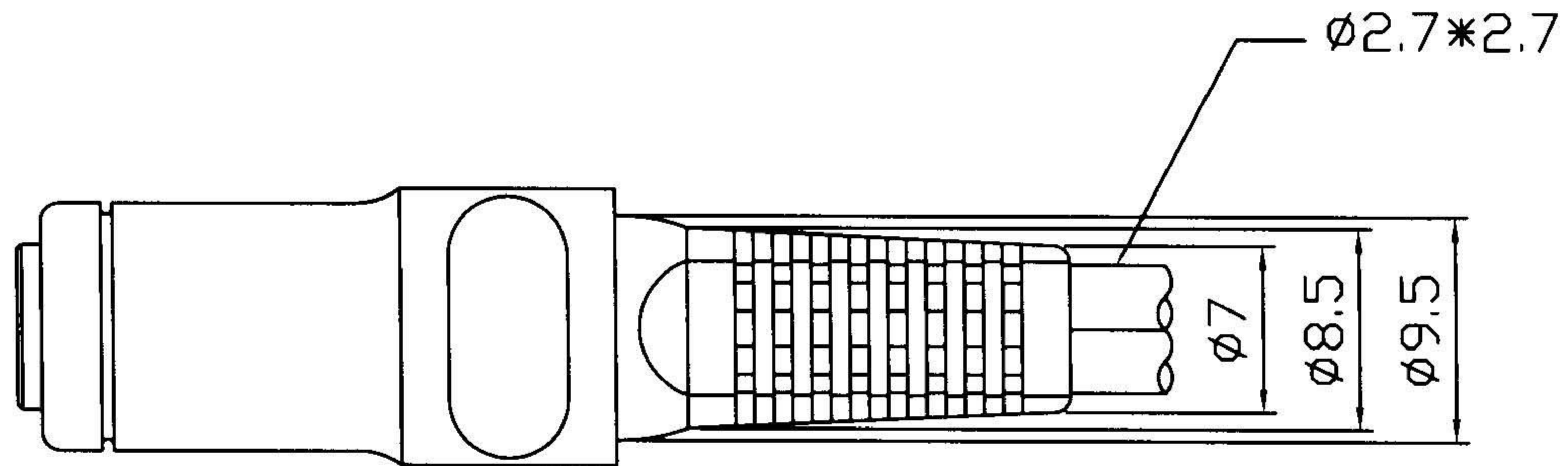


STS-2

$L \leq 4$	± 0.1
$4 < L \leq 16$	± 0.2
$16 < L \leq 63$	± 0.3
$63 < L \leq 250$	± 0.4
$250 < L$	± 0.6

名稱	DESCRIPTION. AUDIO CONNECTING CORD	圖號	DRAWN NO. SP-0576	SHEET 2
----	--	----	-----------------------------	-------------------

3-1. 3.5 STEREO JACK DIMENSION

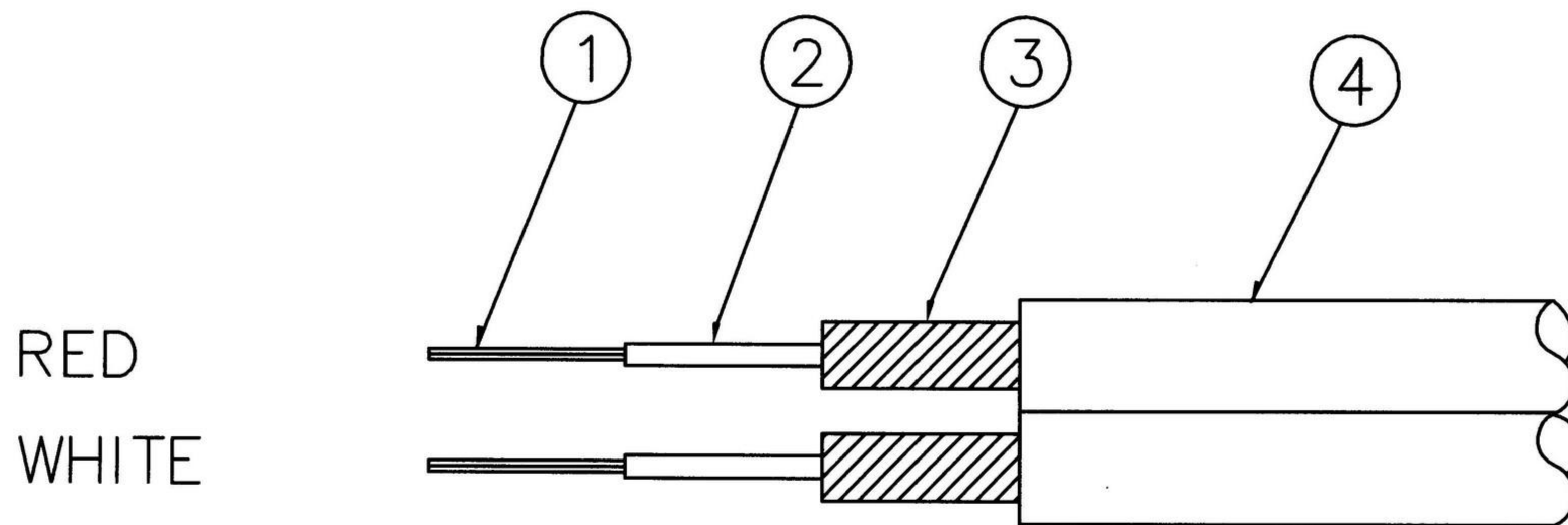


STS-2

L ≤ 4	±0.1
4 < L ≤ 16	±0.2
16 < L ≤ 63	±0.3
63 < L ≤ 250	±0.4
250 < L	±0.6

名稱	DESCRIPTION. AUDIO CONNECTING CORD	圖號	DRAWN NO. SP-0576	SHEET 3
----	--	----	-----------------------------	-------------------

4 CORD SPEC



	DESCRIPTION	MATERIAL	SPECIFICATION
①	CONDUCTOR	OFC COPPER	0.12*10*2C
②	CORE DIA.	PE(R)(W)	$\varphi 1.3^{\pm 0.1}$ *2C
③	SHIELD WIRE	OFC COPPER	0.12*28*2C
④	JACKET	PVC	$\varphi 2.7^{\pm 0.1}$ * $2.7^{\pm 0.1}$ mm
	NON MIGRATION	BLACK	FOR ABS PLATE

5. CHARACTERISTICS

STANDARD ATMOSPHERIC CONDITIONS

UNLESS OTHERWISE SPECIFIED, THE STANDARD RANGE OF ATMOSPHERIC CONDITIONS FOR MAKING MEASUREMENTS AND TESTS ARE AS FOLLOWS:

AMBIENT TEMPERATURE : 5°C TO 35°C
 RELATIVE HUMIDITY : 45% TO 85%
 AIR PRESSURE : 86KPa TO 106KPa

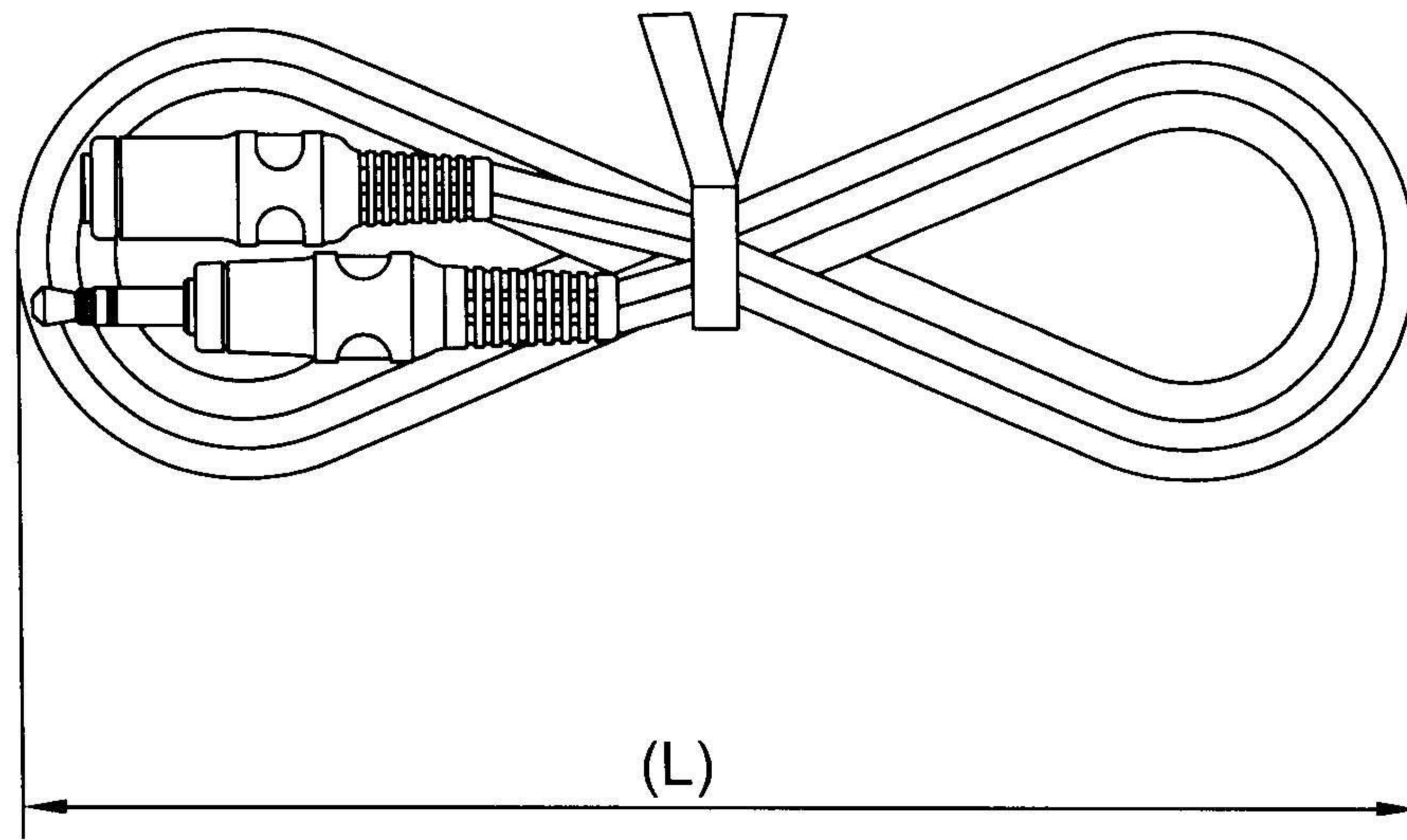
IF THERE IS ANY DOUBT ABOUT THE RESULTS. MEASUREMENTS SHALL BE MADE WITHIN THE FOLLOWING LIMITS:

AMBIENT TEMPERATURE : 20±2°C
 RELATIVE HUMIDITY : 60% TO 70%
 AIR PRESSURE : 86KPa TO 106KPa

NO	ITEMS	CONDITIONS	SPECIFICATIONS
1	APPEARANCE		NO DEFECTS SUCH AS CRACKS, SCRATCHES OR BLEMISHES.
2	INSERTION FORCE WITHDRAWAL FORCE	MEASUREMENT SHALL BE MADE AFTER INSERTING INTO ITS MATING PLUG OR SOCKET 3 TIMES. 3.5 PLUG / JACK	4.9N(0.5Kgf) ~ 19.6N(2.0Kgf)
3	TENSILE STRENGTH	BETWEEN CABLE & CONNECTOR 29.4N(3.0KGF) , 1 MINUTE	NO DAMAGE SUCH AS DISPLACEMENT OR INSULATION DAMAGE,ETC
4	FLEXING TEST	300G, ± 60° ,1000TURNS 15~20/PER MIN TURNS	NO DAMAGE SUCH AS DISPLACEMENT OR INSULATION DAMAGE,ETC
5	INSULATION RESISTANCE	DC 250V 1 MINUTE BETWEEN CONDUCTORS	100 MΩ OR MORE
6	DIELECTRIC STRENGTH	AC 250V SHALL BE APPLIED FOR 1 MINUTE WITH TRIP CURRENT 2 mA BETWEEN CONDUCTORS	WITHOUT DAMAGE SUCH AS ELECTRIC BREAKDOWN
7	ABS NON-MIGRATION	TEMPERATURE : 54 ± 1 °C TIME : 24± 1H WEIGHT : 500 ±25 G	WHEN VISUALLY INSPECTED. ANY STAINING OF THE AREA OF THE ABS THAT WAS IN CONTACT WITH THE TEST PIECES SHALL HARDLY BE RECOGNIZED

名 稱	DESCRIPTION. AUDIO CONNECTING CORD	圖 號	DRAWN NO. SP-0576	SHEET 5
--------	--	--------	---------------------------------	-----------------------

6. PACKAGE



Item no.	(L)
11.09.4353	125
11.09.4355	160
11.09.4359	160

名稱	DESCRIPTION. AUDIO CONNECTING CORD	圖號	DRAWN NO. SP-0576	SHEET 6
----	--	----	-----------------------------	-------------------